



FEATURES:

- RoHS compliant
- 24 Pin DIP Package
- Wide 2:1 input range
- High efficiency up to 85%
- Operating temperature -40°C to + 85°C
- Input / Output Isolation 1500 and 3500VDC
- Pin compatible with multiple manufacturers
- Continuous short circuit protection



Models
Single output

Model	Input Voltage (V)	Output Voltage (V)	Output Current max (mA)	Capacitive load, max (µF)	Efficiency (%)	Isolation (VDC)
AM6T-1203SZ	9-18	3.3	1400	1000	72	1500
AM6T-1205SZ	9-18	5	1200	1000	77	1500
AM6T-1207SZ	9-18	7.2	830	680	80	1500
AM6T-1209SZ	9-18	9	660	680	78	1500
AM6T-1212SZ	9-18	12	500	330	81	1500
AM6T-1215SZ	9-18	15	400	220	80	1500
AM6T-1218SZ	9-18	18	330	68	79	1500
AM6T-1224SZ	9-18	24	250	68	80	1500
AM6T-2403SZ	18-36	3.3	1400	3300	75	1500
AM6T-2405SZ	18-36	5	1200	1000	80	1500
AM6T-2407SZ	18-36	7.2	830	680	82	1500
AM6T-2409SZ	18-36	9	660	680	80	1500
AM6T-2412SZ	18-36	12	500	330	80	1500
AM6T-2415SZ	18-36	15	400	220	80	1500
AM6T-2418SZ	18-36	18	330	220	80	1500
AM6T-2424SZ	18-36	24	250	220	85	1500
AM6T-4803SZ	36-72	3.3	1400	3300	74	1500
AM6T-4805SZ	36-72	5	1200	2200	80	1500
AM6T-4807SZ	36-72	7.2	830	470	80	1500
AM6T-4809SZ	36-72	9	660	470	82	1500
AM6T-4812SZ	36-72	12	500	330	80	1500
AM6T-4815SZ	36-72	15	400	220	80	1500
AM6T-4818SZ	36-72	18	330	100	80	1500
AM6T-4824SZ	36-72	24	250	100	82	1500
AM6T-1203SH35Z	9-18	3.3	1400	1000	72	3500
AM6T-1205SH35Z	9-18	5	1200	1000	77	3500
AM6T-1207SH35Z	9-18	7.2	830	680	80	3500
AM6T-1209SH35Z	9-18	9	660	680	78	3500
AM6T-1212SH35Z	9-18	12	500	330	81	3500
AM6T-1215SH35Z	9-18	15	400	220	80	3500
AM6T-1218SH35Z	9-18	18	330	68	79	3500
AM6T-1224SH35Z	9-18	24	250	68	80	3500
AM6T-2403SH35Z	18-36	3.3	1400	3300	75	3500
AM6T-2405SH35Z	18-36	5	1200	1000	80	3500
AM6T-2407SH35Z	18-36	7.2	830	680	82	3500
AM6T-2409SH35Z	18-36	9	660	680	80	3500
AM6T-2412SH35Z	18-36	12	500	330	80	3500
AM6T-2415SH35Z	18-36	15	400	220	80	3500
AM6T-2418SH35Z	18-36	18	330	220	80	3500
AM6T-2424SH35Z	18-36	24	250	220	85	3500
AM6T-4803SH35Z	36-72	3.3	1400	3300	74	3500
AM6T-4805SH35Z	36-72	5	1200	2200	80	3500

Models

Single output (continued)

Model	Input Voltage (V)	Output Voltage (V)	Output Current max (mA)	Capacitive load, max (µF)	Efficiency (%)	Isolation (VDC)
AM6T-4807SH35Z	36-72	7.2	830	470	80	3500
AM6T-4809SH35Z	36-72	9	660	470	82	3500
AM6T-4812SH35Z	36-72	12	500	330	80	3500
AM6T-4815SH35Z	36-72	15	400	220	80	3500
AM6T-4818SH35Z	36-72	18	330	100	80	3500
AM6T-4824SH35Z	36-72	24	250	100	82	3500

Models

Dual output

Model	Input Voltage (V)	Output Voltage (V)	Output Current max (mA)	Capacitive load, max (µF)	Efficiency (%)	Isolation (VDC)
AM6T-1203DZ	9-18	±3.3	±700	±680	72	1500
AM6T-1205DZ	9-18	±5	±600	±330	75	1500
AM6T-1207DZ	9-18	±7.2	±410	±220	80	1500
AM6T-1209DZ	9-18	±9	±330	±220	78	1500
AM6T-1212DZ	9-18	±12	±250	±100	80	1500
AM6T-1215DZ	9-18	±15	±200	±100	78	1500
AM6T-1218DZ	9-18	±18	±160	±100	79	1500
AM6T-1224DZ	9-18	±24	±125	±100	79	1500
AM6T-2403DZ	18-36	±3.3	±700	±1000	75	1500
AM6T-2405DZ	18-36	±5	±600	±680	80	1500
AM6T-2407DZ	18-36	±7.2	±410	±330	82	1500
AM6T-2409DZ	18-36	±9	±330	±330	80	1500
AM6T-2412DZ	18-36	±12	±250	±220	80	1500
AM6T-2415DZ	18-36	±15	±200	±100	80	1500
AM6T-2418DZ	18-36	±18	±160	±68	80	1500
AM6T-2424DZ	18-36	±24	±125	±68	80	1500
AM6T-4803DZ	36-72	±3.3	±700	±1000	74	1500
AM6T-4805DZ	36-72	±5	±600	±680	80	1500
AM6T-4807DZ	36-72	±7.2	±410	±330	80	1500
AM6T-4809DZ	36-72	±9	±330	±330	80	1500
AM6T-4812DZ	36-72	±12	±250	±220	80	1500
AM6T-4815DZ	36-72	±15	±200	±100	80	1500
AM6T-4818DZ	36-72	±18	±160	±47	80	1500
AM6T-4824DZ	36-72	±24	±125	±47	81	1500
AM6T-1203DH35Z	9-18	±3.3	±700	±680	72	3500
AM6T-1205DH35Z	9-18	±5	±600	±330	75	3500
AM6T-1207DH35Z	9-18	±7.2	±410	±220	80	3500
AM6T-1209DH35Z	9-18	±9	±330	±220	78	3500
AM6T-1212DH35Z	9-18	±12	±250	±100	80	3500
AM6T-1215DH35Z	9-18	±15	±200	±100	78	3500
AM6T-1218DH35Z	9-18	±18	±160	±100	79	3500
AM6T-1224DH35Z	9-18	±24	±125	±100	79	3500
AM6T-2403DH35Z	18-36	±3.3	±700	±1000	75	3500
AM6T-2405DH35Z	18-36	±5	±600	±680	80	3500
AM6T-2407DH35Z	18-36	±7.2	±410	±330	82	3500
AM6T-2409DH35Z	18-36	±9	±330	±330	80	3500
AM6T-2412DH35Z	18-36	±12	±250	±220	80	3500
AM6T-2415DH35Z	18-36	±15	±200	±100	80	3500
AM6T-2418DH35Z	18-36	±18	±160	±68	80	3500
AM6T-2424DH35Z	18-36	±24	±125	±68	80	3500
AM6T-4803DH35Z	36-72	±3.3	±700	±1000	74	3500
AM6T-4805DH35Z	36-72	±5	±600	±680	80	3500

Models

Dual output (continued)

Model	Input Voltage (V)	Output Voltage (V)	Output Current max (mA)	Capacitive load, max (μF)	Efficiency (%)	Isolation (VDC)
AM6T-4807DH35Z	36-72	±7.2	±410	±330	80	3500
AM6T-4809DH35Z	36-72	±9	±330	±330	80	3500
AM6T-4812DH35Z	36-72	±12	±250	±220	80	3500
AM6T-4815DH35Z	36-72	±15	±200	±100	80	3500
AM6T-4818DH35Z	36-72	±18	±160	±47	80	3500
AM6T-4824DH35Z	36-72	±24	±125	±47	81	3500

Input Specifications

Parameters	Nominal	Typical	Maximum	Units
Voltage range	12	9-18		VDC
	24	18-36		
	48	36-72		
Filter	π (Pi) Network			
Turn on Transient process time			350	ms
Start up time		500		ms
Absolute Maximum Rating	12 Vin	-0.7-24		VDC
	24 Vin	-0.7-40		
	48 Vin	-0.7-80		
Peak Input Voltage time		100		ms

Isolation Specifications

Parameters	Conditions	Typical	Maximum	Units
Tested I/O voltage	3 sec	1500 or 3500		VDC
Resistance		> 1000		MOhm
Capacitance		470		pF

Output Specifications

Parameters	Conditions	Typical	Maximum	Units
Voltage accuracy		±1		%
Voltage balance	Dual Output	±1		%
Short Circuit protection		Continuous		
Short circuit restart		Auto recovery		
Over current protection		120% Iout		
Line voltage regulation (Single)		±0.5		%
Line voltage regulation (Dual)		±0.5		%
Load voltage regulation (Single)		±0.5		%
Load voltage regulation (Single) 3.3V output model		±1.5		%
Load voltage regulation (Dual)		±0.5		%
Load voltage regulation (Dual) ±3.3V output voltage		±1.5		%
Temperature coefficient		±0.02		%/°C
Ripple & Noise	At 20MHz Bandwidth	60		mV p-p
Rising time		10		ms

General Specifications

Parameters	Conditions	Typical	Maximum	Units
Switching frequency	100% load	266		KHz
Operating temperature	Full Load without Derating		-40 to +85	°C
Storage temperature			-40 to +125	°C
Max Case temperature			+100	°C
Derating		Not Required		

General Specifications (continued)

Parameters	Conditions	Typical	Maximum	Units
Cooling		Free air convection		
Humidity			90	%
Case material		Nickel coated copper		
Weight		17		g
Dimensions(L x W x H)	Tolerance ± 0.5 mm or ± 0.02 inches	1.28 x 0.84 x 0.41 inches	32.25 x 21.35 x 10.50 mm	
MTBF	$>1\ 121\ 000$ hrs (MIL-HDBK -217F, Ground Benign, $t=+25^{\circ}\text{C}$)			

NOTE: All specifications noted in this datasheet are measured at an ambient temperature of 25°C , humidity $<75\%$, nominal input voltage and at rated output load unless otherwise specified.

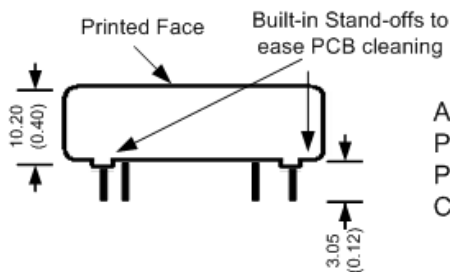
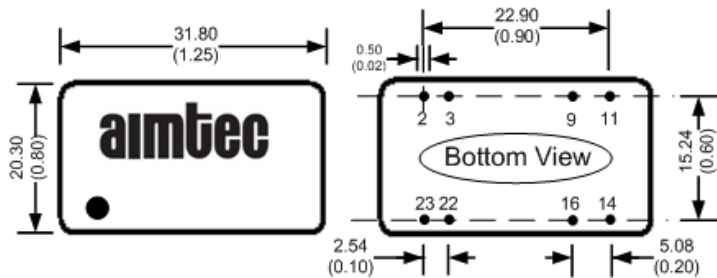
Safety Specifications

Parameters	
Agency Approvals	CE
Standards	EN55022 Class A, EN55024
	IEC61000-4-2, Perf. Criteria B
	IEC61000-4-3, Perf. Criteria A
	IEC61000-4-4, Perf. Criteria B (external 220uF/100V cap required)
	IEC61000-4-5, Perf. Criteria B (external 220uF/100V cap required)
	IEC61000-4-6, Perf. Criteria A
	IEC61000-4-8, Perf. Criteria A
NOTE: also meets IEC 60950-1:2001	

Pin Out Specifications

Pin	1500 & 3500VDC	
	Single	Dual
2	-V Input	-V Input
3	-V Input	-V Input
9	NO PIN	Common
11	N. C.	-V Output
14	+V Output	+V Output
16	-V Output	Common
22	+V Input	+V Input
23	+V Input	+V Input

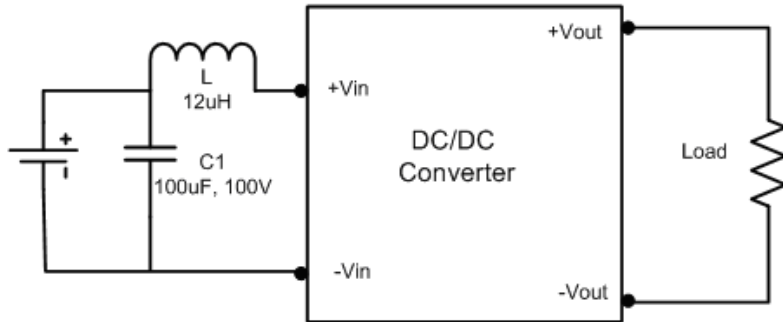
Dimensions



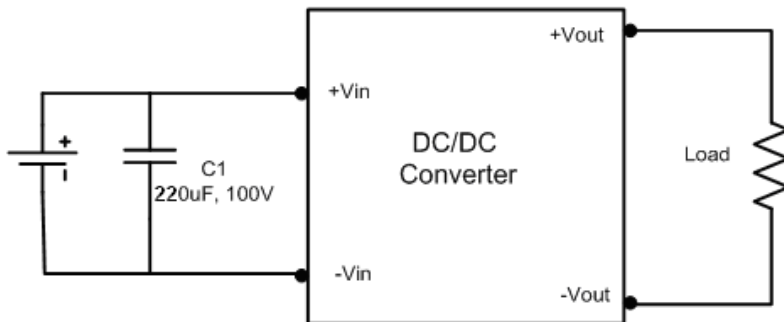
All dimensions are typical: millimeters (inches)
 Pin Diameter: 0.50 ± 0.05 (0.02 ± 0.002)
 Pin Pitch Tolerance: ± 0.35 (± 0.014)
 Case Tolerance: ± 0.5 (± 0.02)

Test Circuits

Conducted Emissions



Surge:



NOTE: 1. Datasheets are updated as needed and as such, specifications are subject to change without notice. Once printed or downloaded, datasheets are no longer controlled by Aimtec; refer to www.aimtec.com for the most current product specifications. 2. Product labels shown, including safety agency certifications on labels, may vary based on the date manufactured. 3. Mechanical drawings and specifications are for reference only. 4. Aimtec may not have conducted destructive testing or chemical analysis on all internal components and chemicals at the time of publishing this document. CAS numbers and other limited information are considered proprietary and may not be available for release. 5. This product is not designed for use in critical life support systems, equipment used in hazardous environments, nuclear control systems or other such applications which necessitate specific safety and regulatory standards other the ones listed in this datasheet.