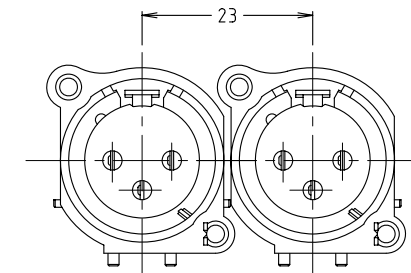
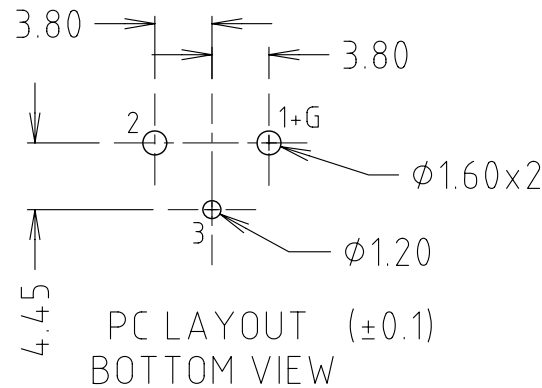
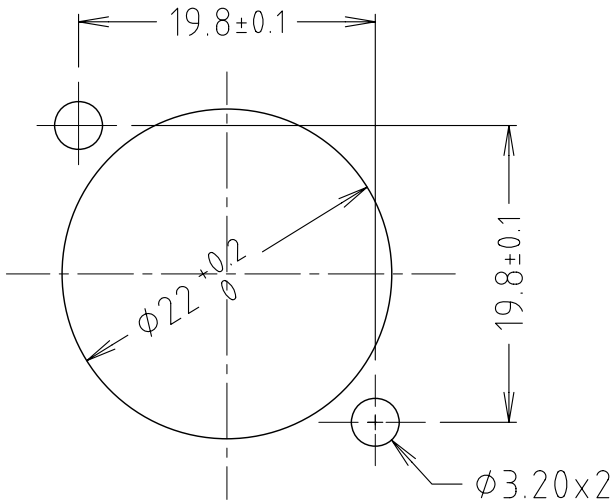
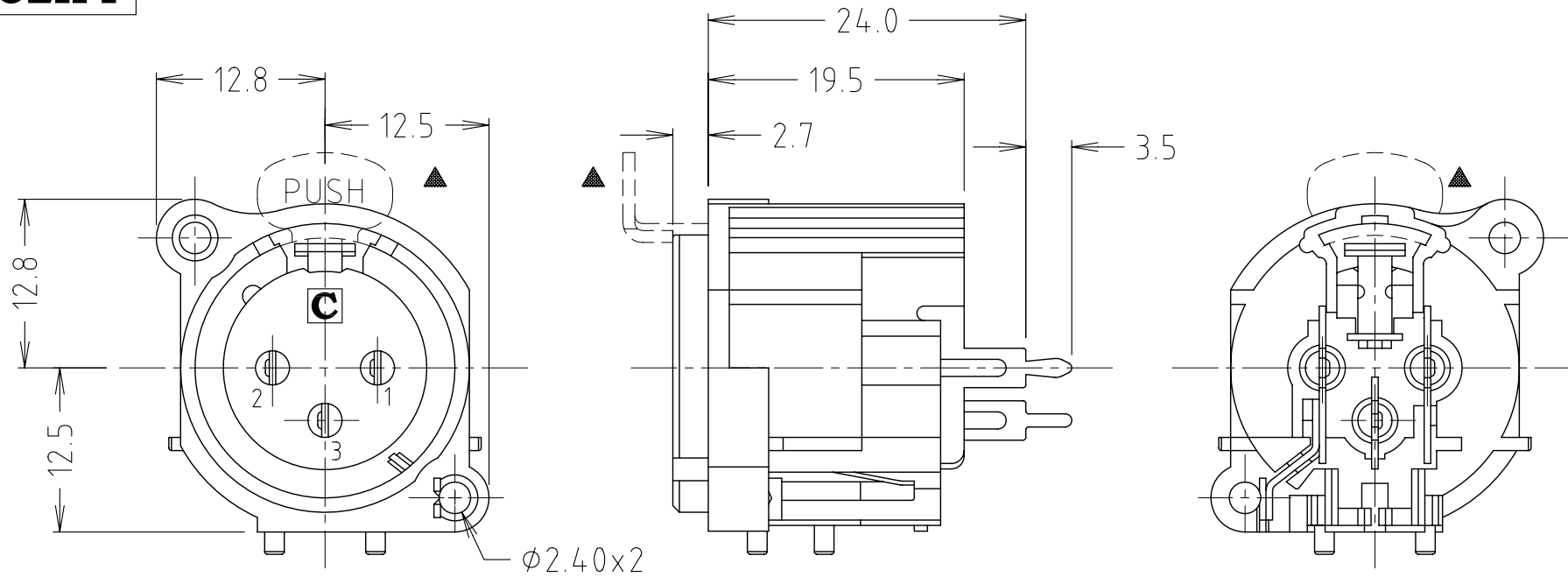


ISS.	AMEND	DATE
1	1st DRAWN	19/4/99



VARIANT

P/No.	MODEL
• CP 300293	XNACF5/PCS/L WITH PUSH LATCH

Tolerance

NO DEC. PLACE ±

1 DEC. PLACE ± 0.30

2 DEC. PLACE ± 0.10

DIA. HOLES ± 0.10

ANGLES ± 1/2°

UNLESS OTHERWISE STATED

WHERE USED F.R.

SCALE N.T.S.

DIMENSIONS IN MILLIMETERS UNLESS OTHERWISE STATED. WORK TO DIMENSIONS. DO NOT SCALE DRAWING. 3rd ANGLE PROJECTION. REMOVE BURRS. IF IN DOUBT ASK.

Cliff Electronic Components Limited
76 Holmethorpe Ave., Holmethorpe Ind. Estate,
Redhill, Surrey. RH1 2PF. England.
Tel: 01737-771375 Fax: 01737-766012

MATERIAL POLYAMIDE 30% G.F. / BRASS C2680R-H / STEEL SK7
FINISH AS MOULDED / Ni / GOLD / HEAT TREATED / Cu2Ni3
DRAWN C.A.M.J. APPD. RWT

TITLE AUDIO CONNECTOR XNACF5/PCS

DRWG. No. CP 300291

FORM: A4DRWGH